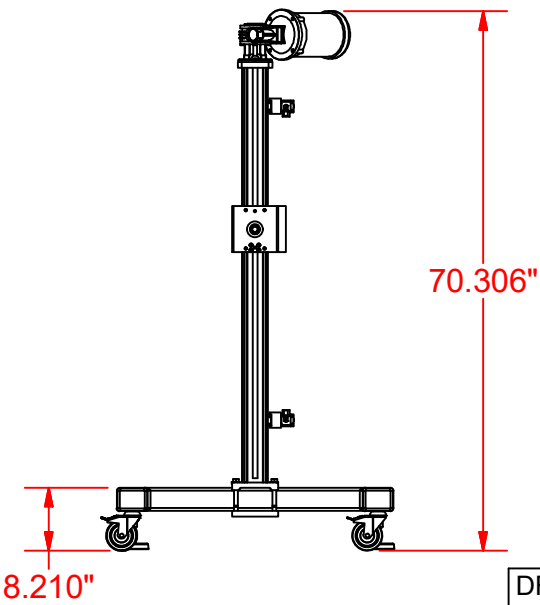
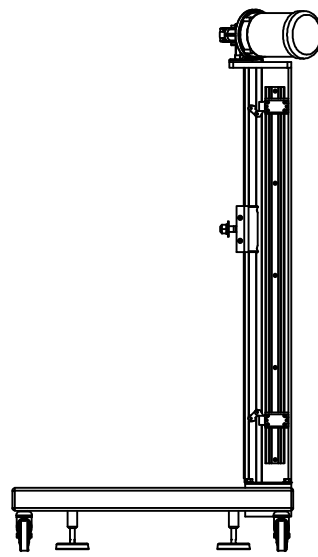
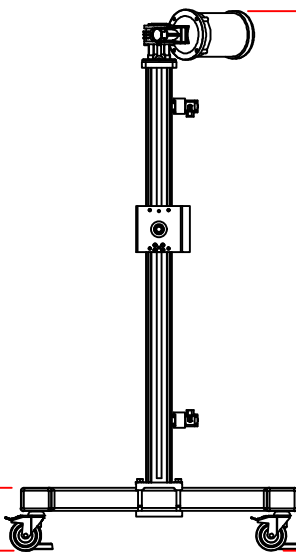
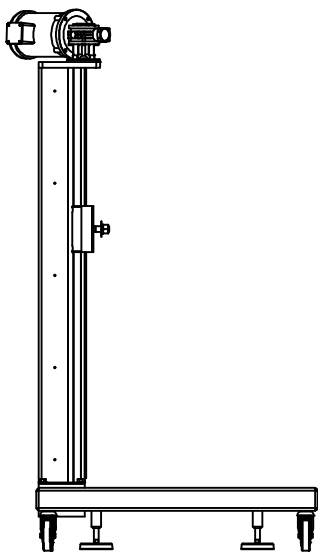
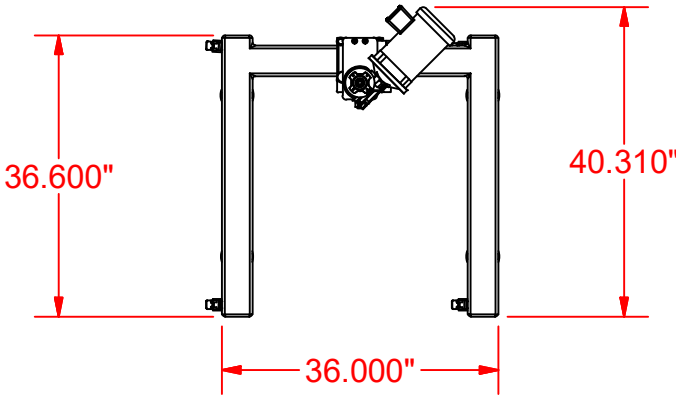
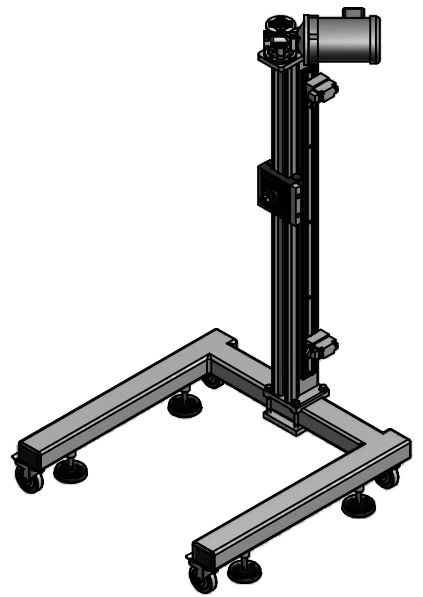
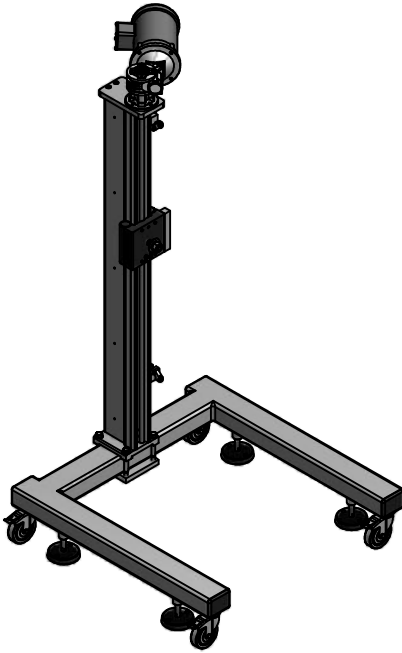



1 2 3 4 5 6 7 8 9 10

A
B
C
D
E
F
G
H

A
B
C
D
E
F
G
H



DRAWN CB	6/8/20	
Scale 1:1		
Aluminum/Coated Steel		Motorized HD Upright
Part No.		

1 2 3 4 5 6 7 8 9 10