

1 2 3 4 5 6 7 8 9 10

A

B

C

D

E

F

G

H

A

B

C

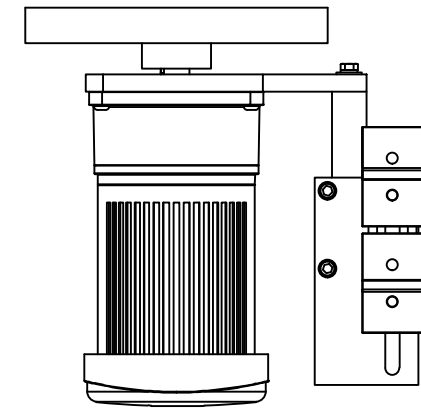
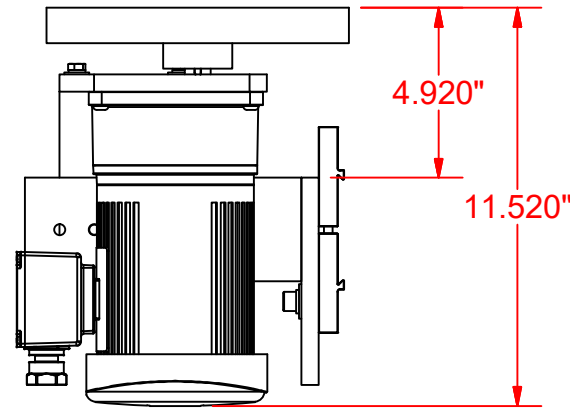
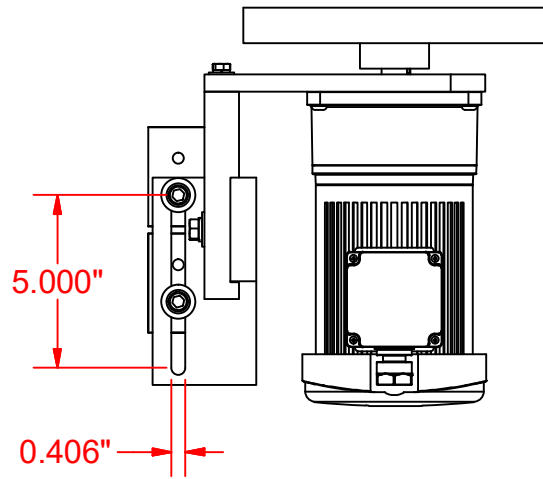
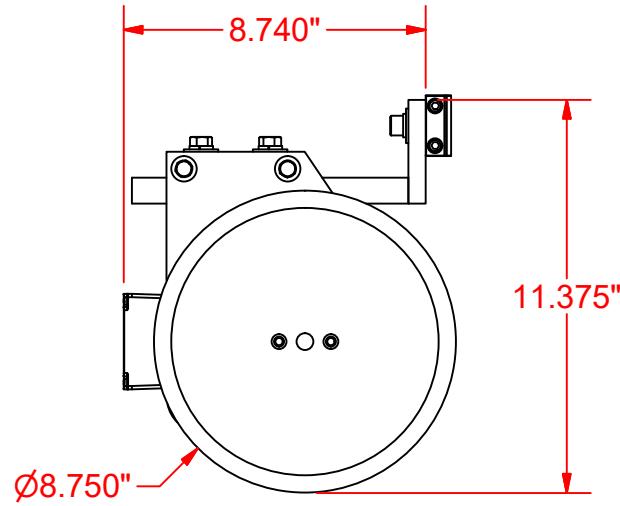
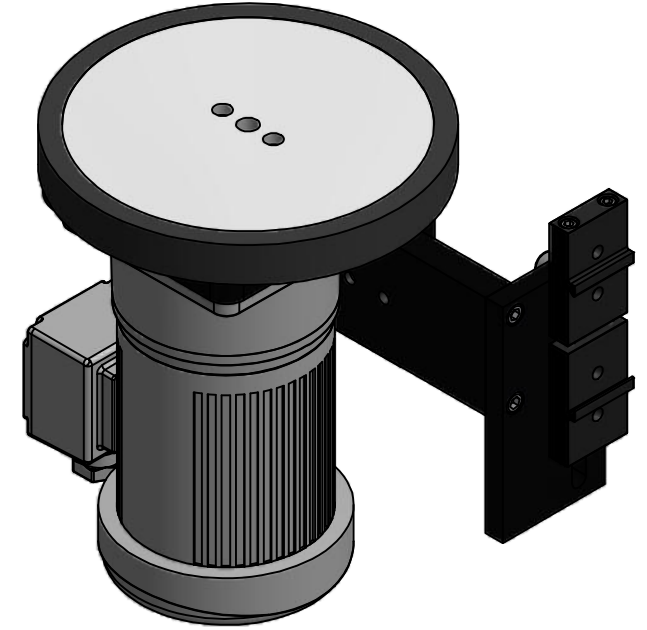
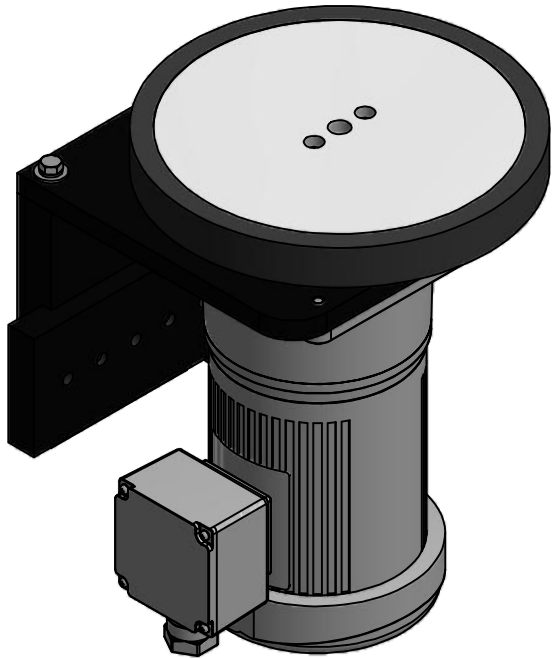
D


E

F

G

H



| | | |
|--------------------|--------|---|
| DRAWN CB | 6/8/20 |  |
| Scale | 1:1 | |
| Aluminum/Stainless | | Metering Wheel |
| Part No. | | |

1 2 3 4 5 6 7 8 9 10